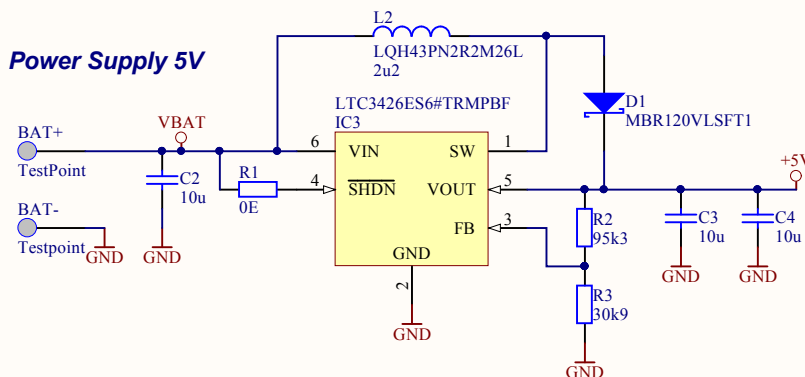
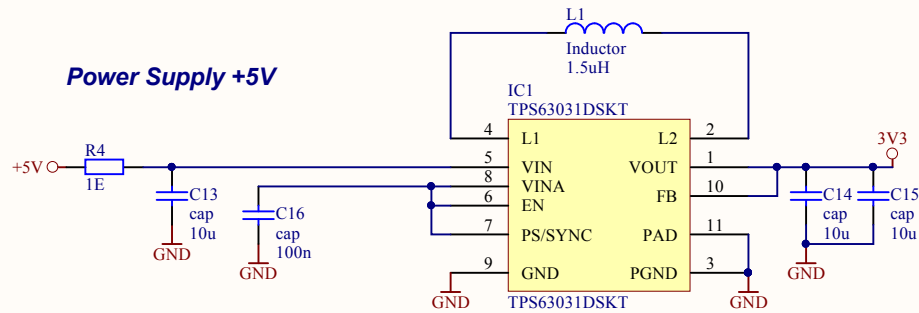


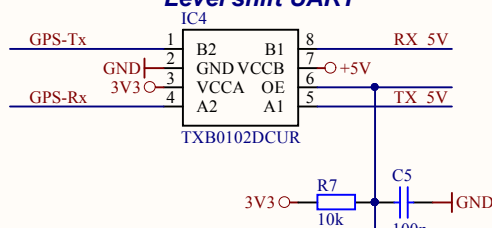
Power Supply 5V



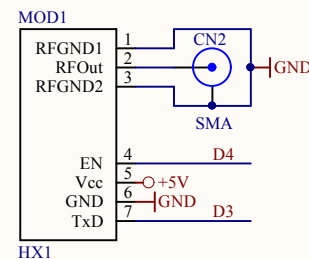
Power Supply +5V



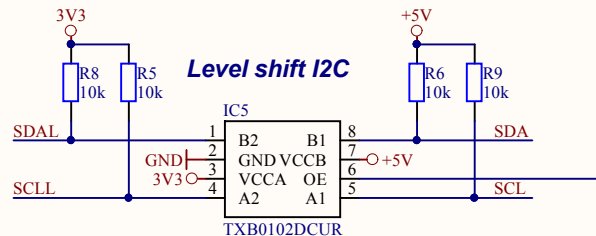
Level shift UART



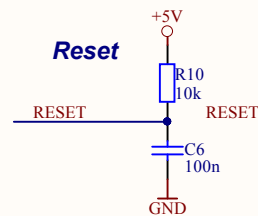
NBFM 144.800MHz Tx



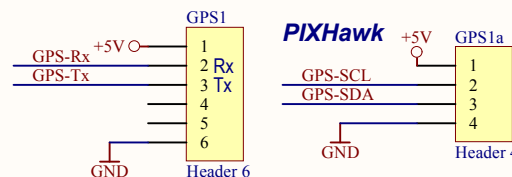
Level shift I2C



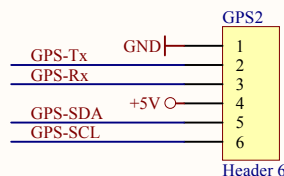
Reset



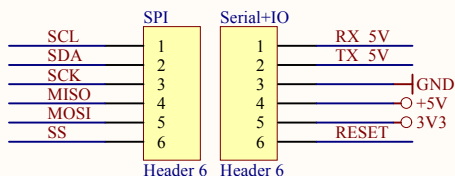
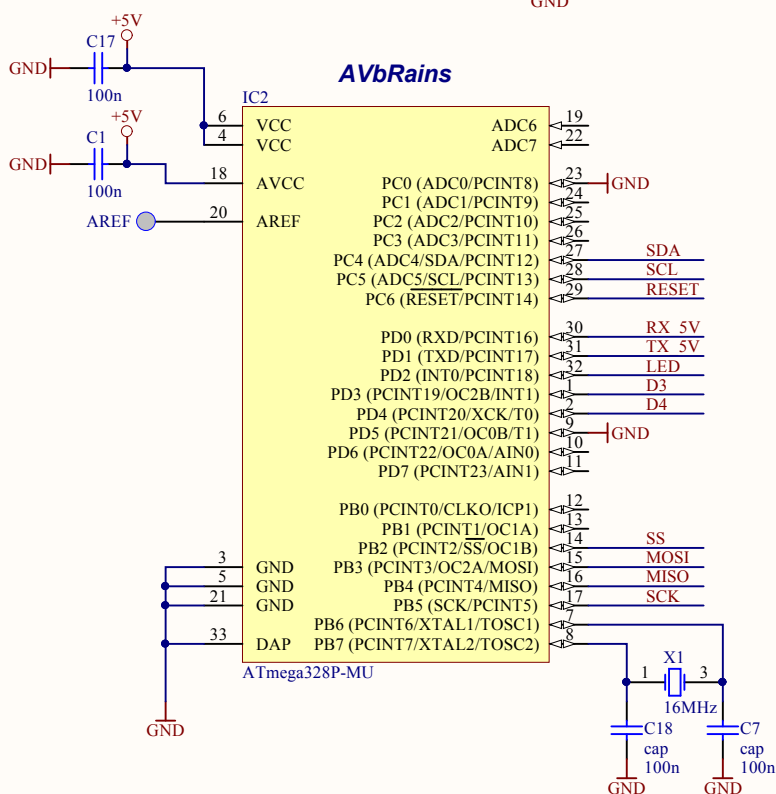
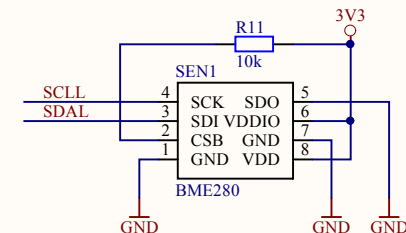
PIXHawk



PIXFalcon/ MicroAPM



Rh, T, p sensor



Title		
Size	Number	Revision
A4		
Date:	12.2.2018	Sheet of
File:	D:\work\tracker.SchDoc	Drawn By: